

# DNA Matches Dot System Demo

**Research Question: Who are the parents of my paternal great grandfather A10 George Jones (1872-1931)**

**Start Date: 9 April 2023**

## **Paternal DNA Cousins Ancestry Dot System Demo Step 0**

Print a copy of Paternal Cousins AncestryDNA Dot System.pdf file.

Write in your Research Question and Start Date at the bottom of the form.

See Page 3.

## **Paternal DNA Cousins Ancestry Dot System Demo Step 1**

Write in the names of your known ancestors.

A10's parents A20-A21 are unknown. Put ? Marks for those names.

See Page 4.

## **Paternal DNA Cousins Ancestry Dot System Demo Step 2**

Now the question is:

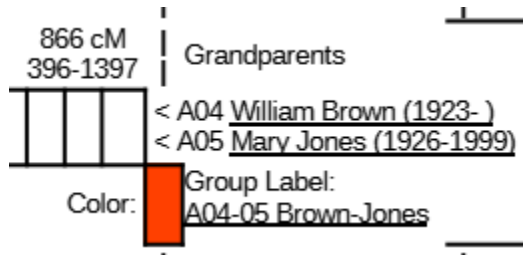
Which DNA Matches can help me find the ancestors A20-A21, the parents of A10 George Jones (1872-1931)?

Answer: \_\_\_\_\_

Those cousin DNA Matches need to be separated from the entire list of DNA Matches.

Use Ancestry ThruLines to find a Known 1st Cousin that descended from A04-05 Brown-Jones.

Use Shared Matches with that cousin to create a Group and use Red for the dot color.



Add every shared match to the A04-05 Brown-Jones group.

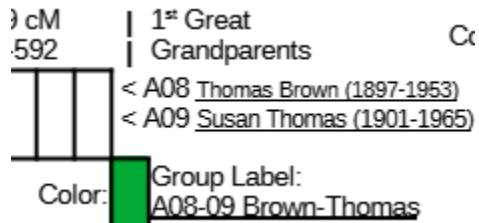
Every paternal 1<sup>st</sup>, 2<sup>nd</sup>, 3<sup>rd</sup>, 4<sup>th</sup> cousin DNA Match connected to Brown-Jones should now have a Red Dot.

See Page 5

## DNA Matches Dot System Demo

### **Paternal DNA Cousins Ancestry Dot System Demo Step 3**

Use Ancestry ThruLines to find a Known 2nd Cousin that descended from A08-09 Brown-Thomas.  
Use Shared Matches with that cousin to create a Group and use Green for the dot color.

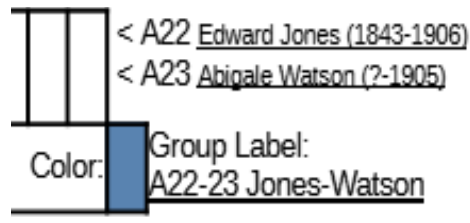


Add every shared match to the A08-09 Brown-Thomas group.

Every paternal 1<sup>st</sup>, 2<sup>nd</sup>, 3<sup>rd</sup>, 4<sup>th</sup> cousin DNA Match connected to Brown-Thomas should now have a Green Dot.  
See Page 6

### **Paternal DNA Cousins Ancestry Dot System Demo Step 4**

Use Ancestry ThruLines to find a Known 3rd Cousin that descended from A22-23 Jones-Watson.  
Use Shared Matches with that cousin to create a Group and use Blue for the dot color.

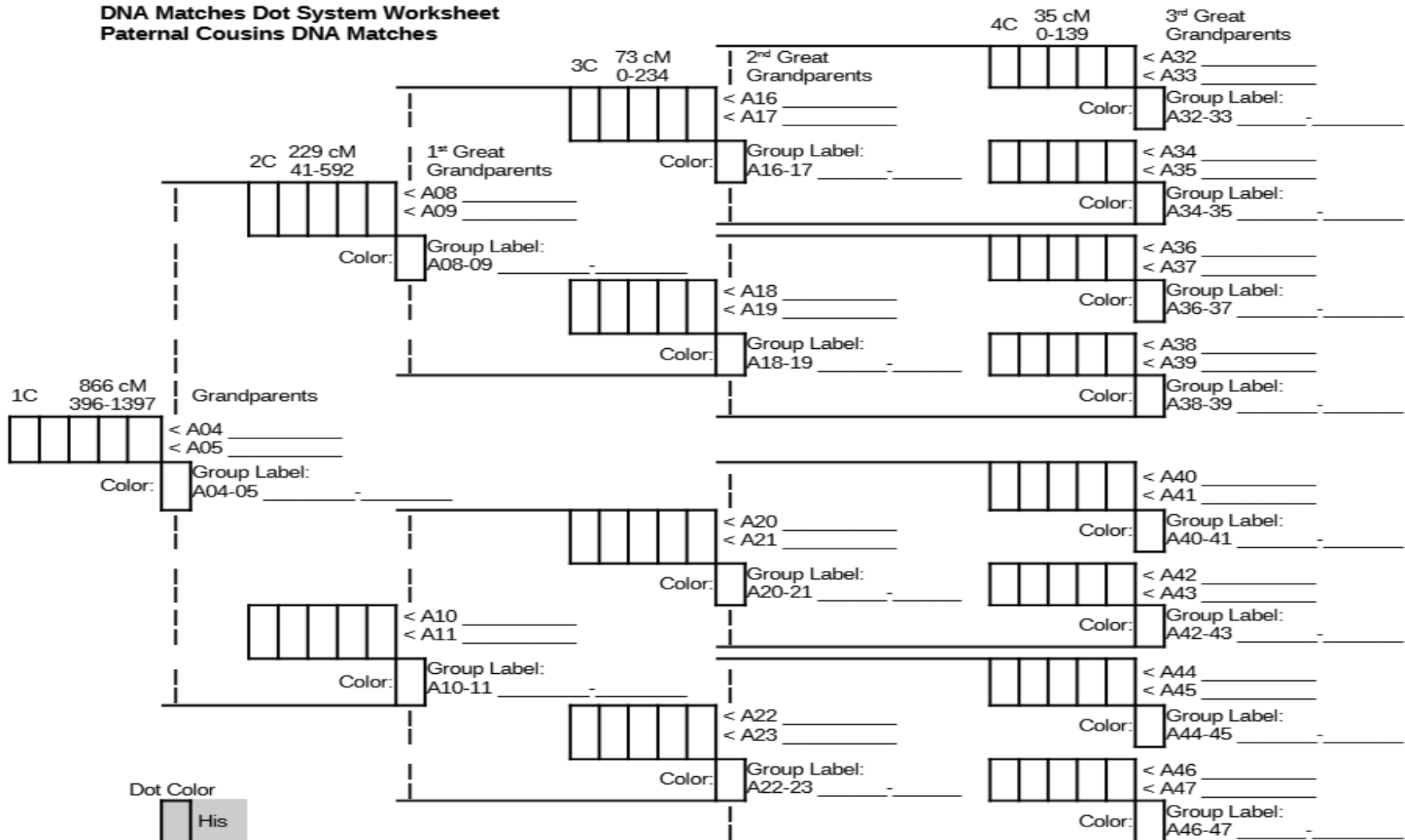


Add every shared match to the A22-23 Jones-Watson group.

Every paternal 1<sup>st</sup>, 2<sup>nd</sup>, 3<sup>rd</sup>, 4<sup>th</sup> cousin DNA Match connected to Jones-Watson should now have a Blue Dot.  
See Page 7.

# DNA Matches Dot System Demo

## DNA Matches Dot System Worksheet Paternal Cousins DNA Matches



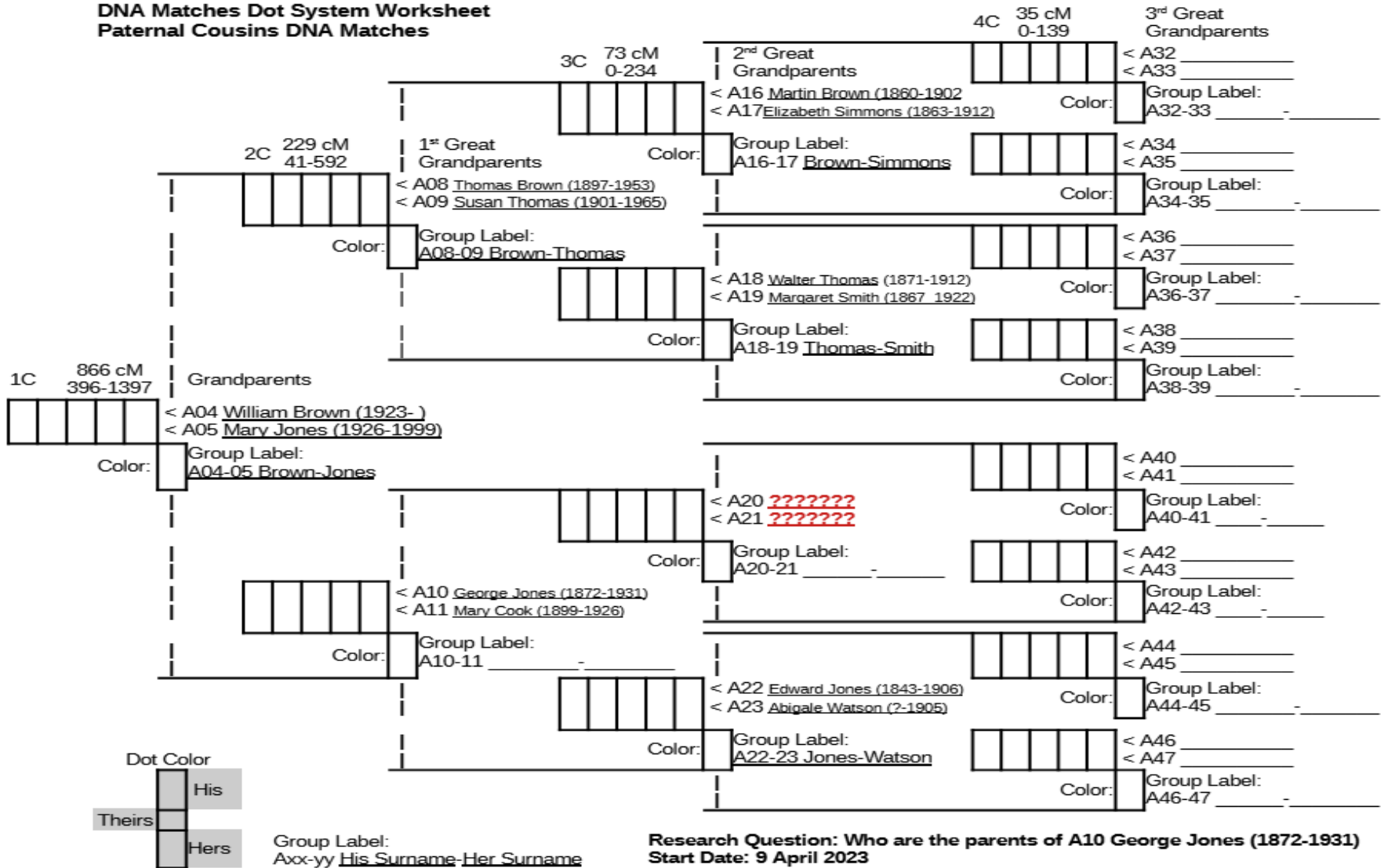
Dot Color  
 His  
 Theirs  
 Hers

Group Label:  
 Axx-yy His Surname-Her Surname

**Research Question: Who are the parents of A10 George Jones (1872-1931)**  
**Start Date: 9 April 2023**

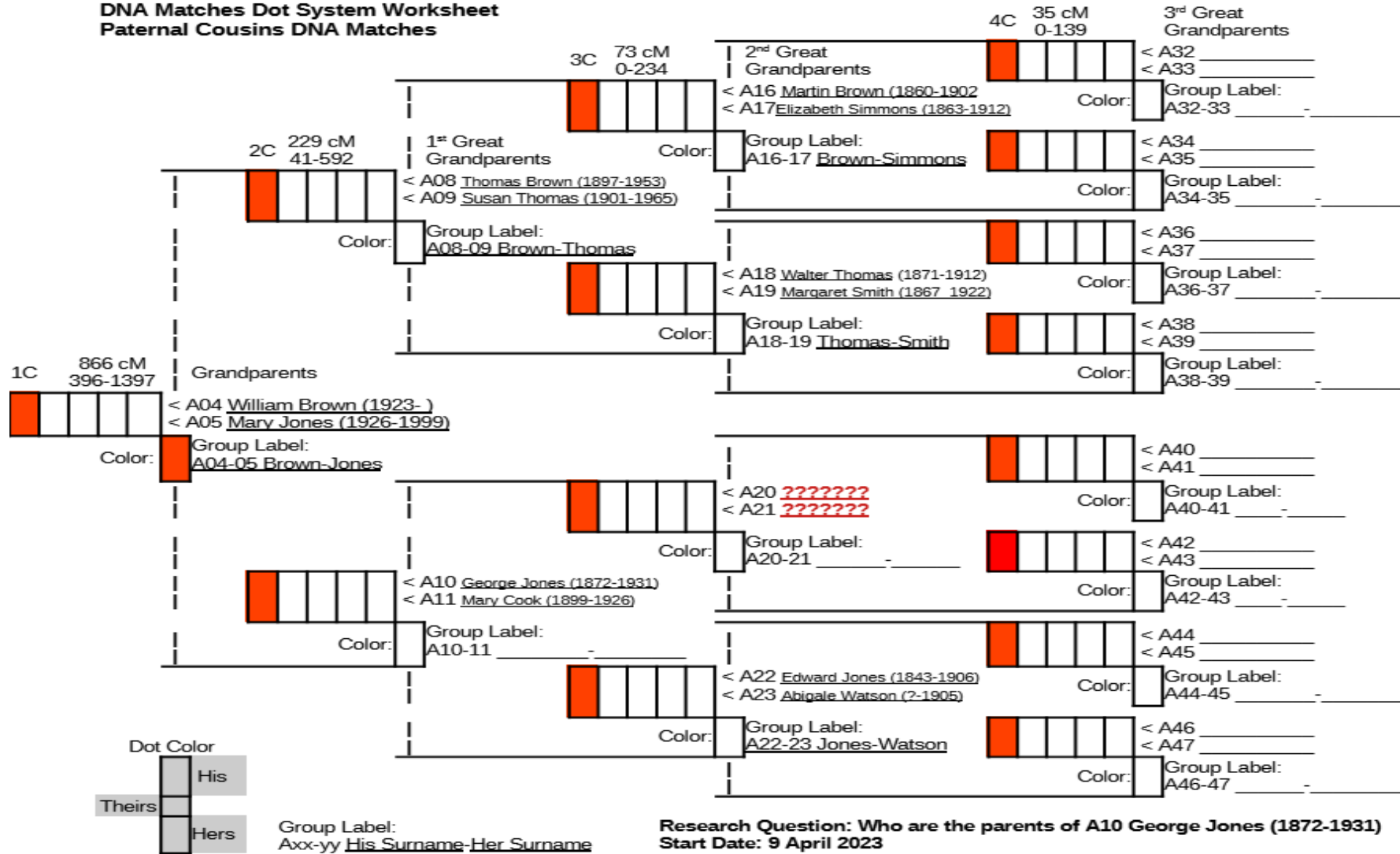
# DNA Matches Dot System Demo

## DNA Matches Dot System Worksheet Paternal Cousins DNA Matches



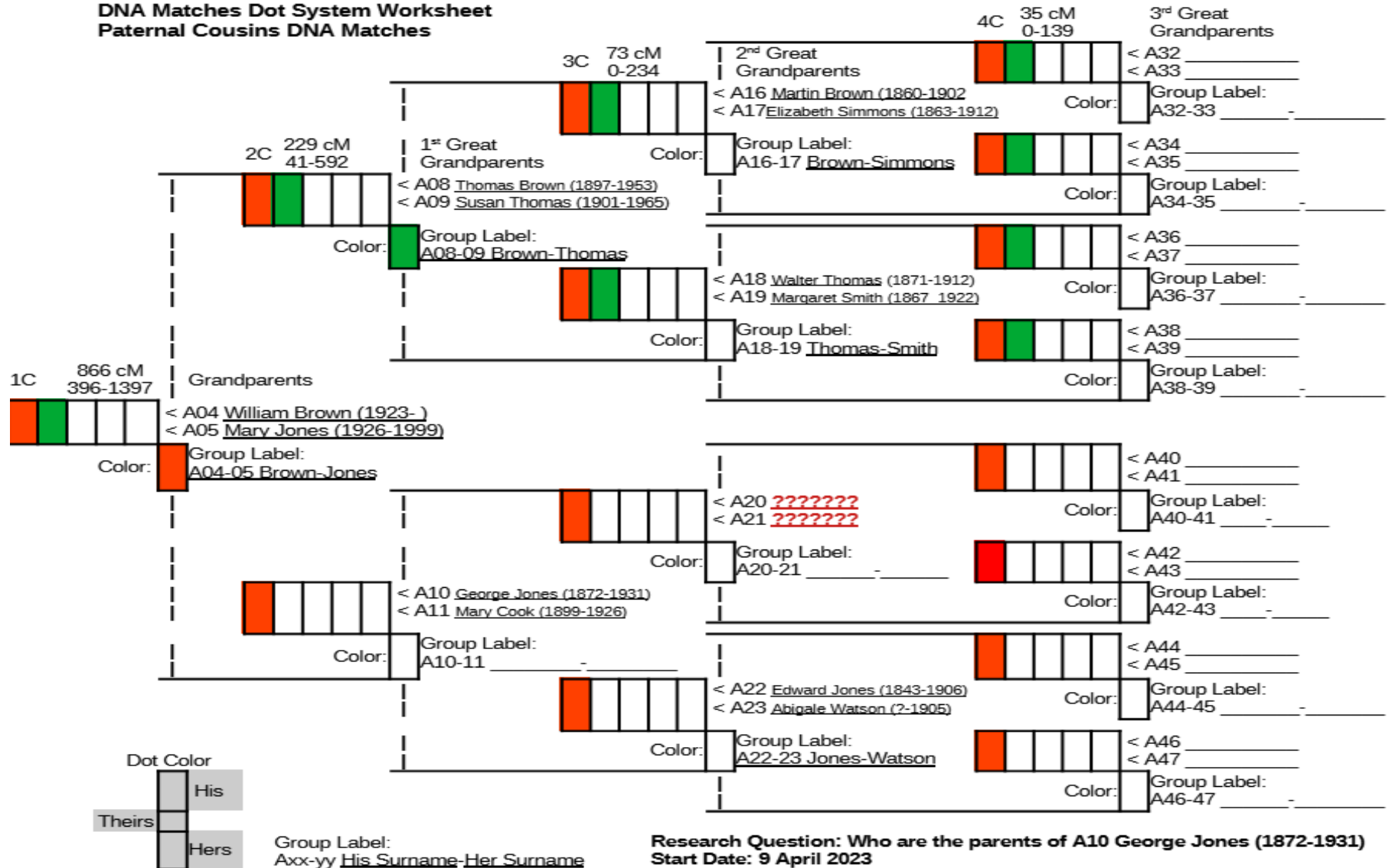
# DNA Matches Dot System Demo

## DNA Matches Dot System Worksheet Paternal Cousins DNA Matches

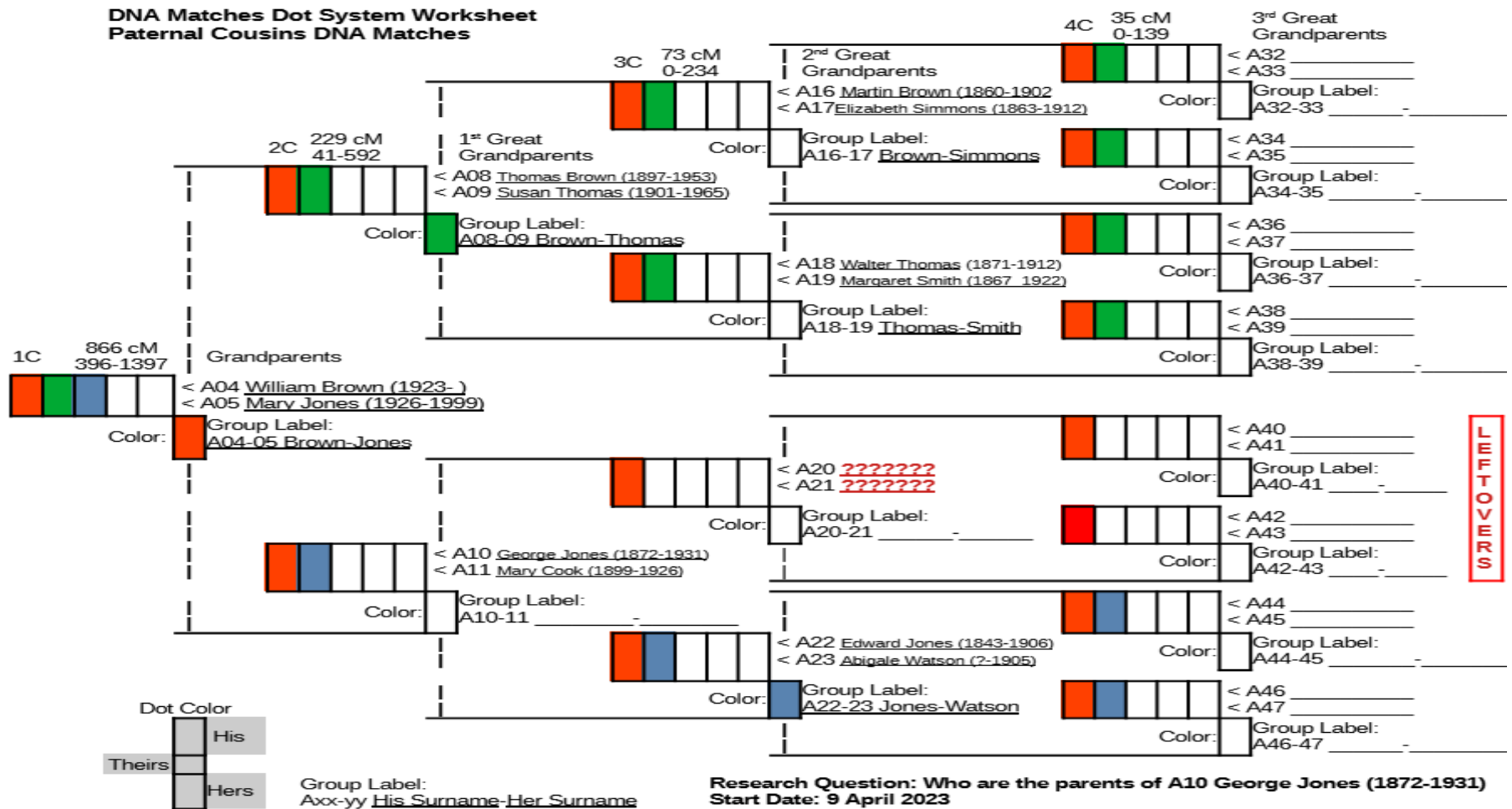


# DNA Matches Dot System Demo

## DNA Matches Dot System Worksheet Paternal Cousins DNA Matches



# DNA Matches Dot System Demo



The 3rd and 4th cousin DNA Matches with only a Red Dot are the Leftovers. They are somehow connected to A10 George Jones's parents and grandparents. These are the DNA Matches that need to be evaluated to see how they connect to each other and then how I am connected to them.

Next is **The Rest of The Demo** sometime in the future.